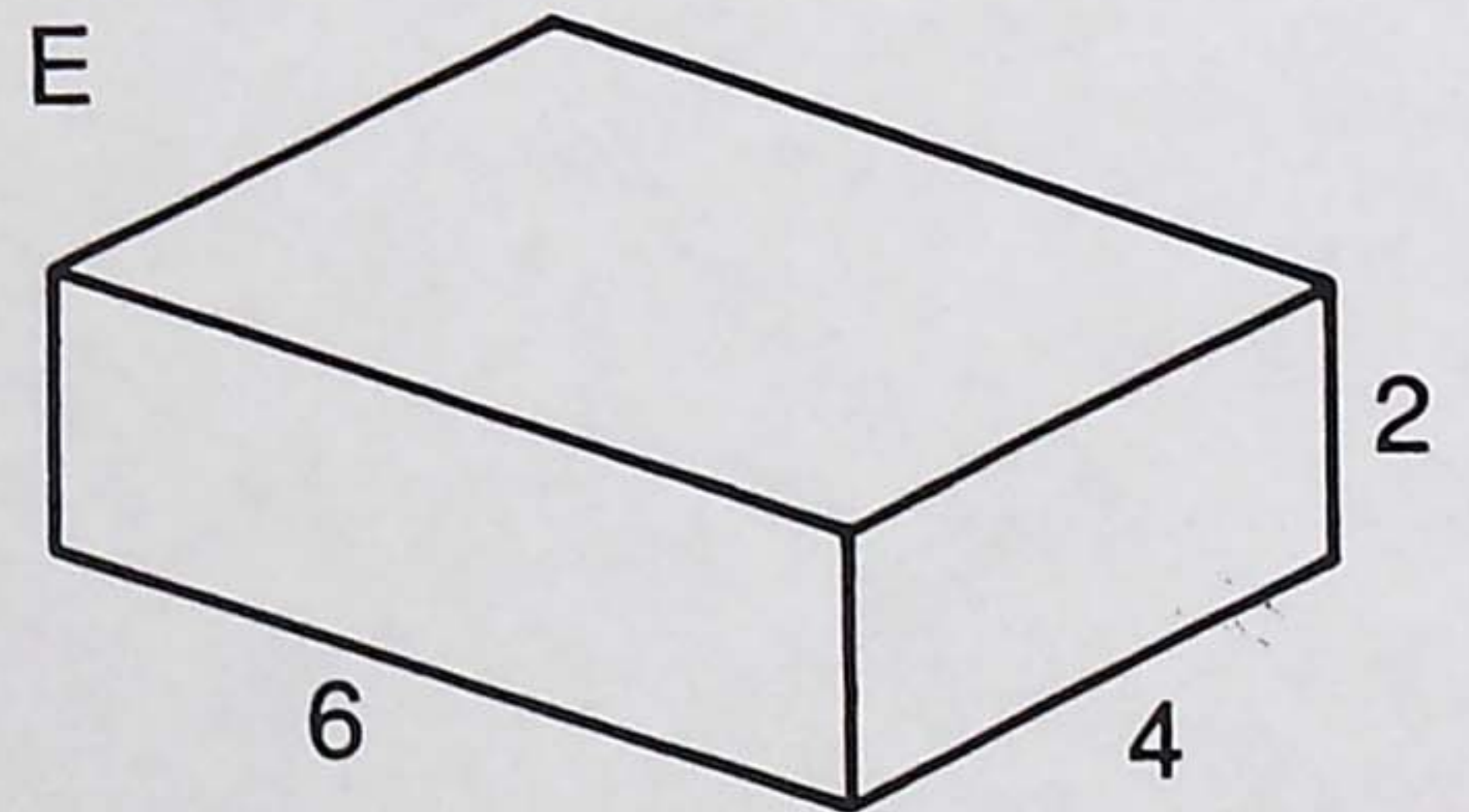
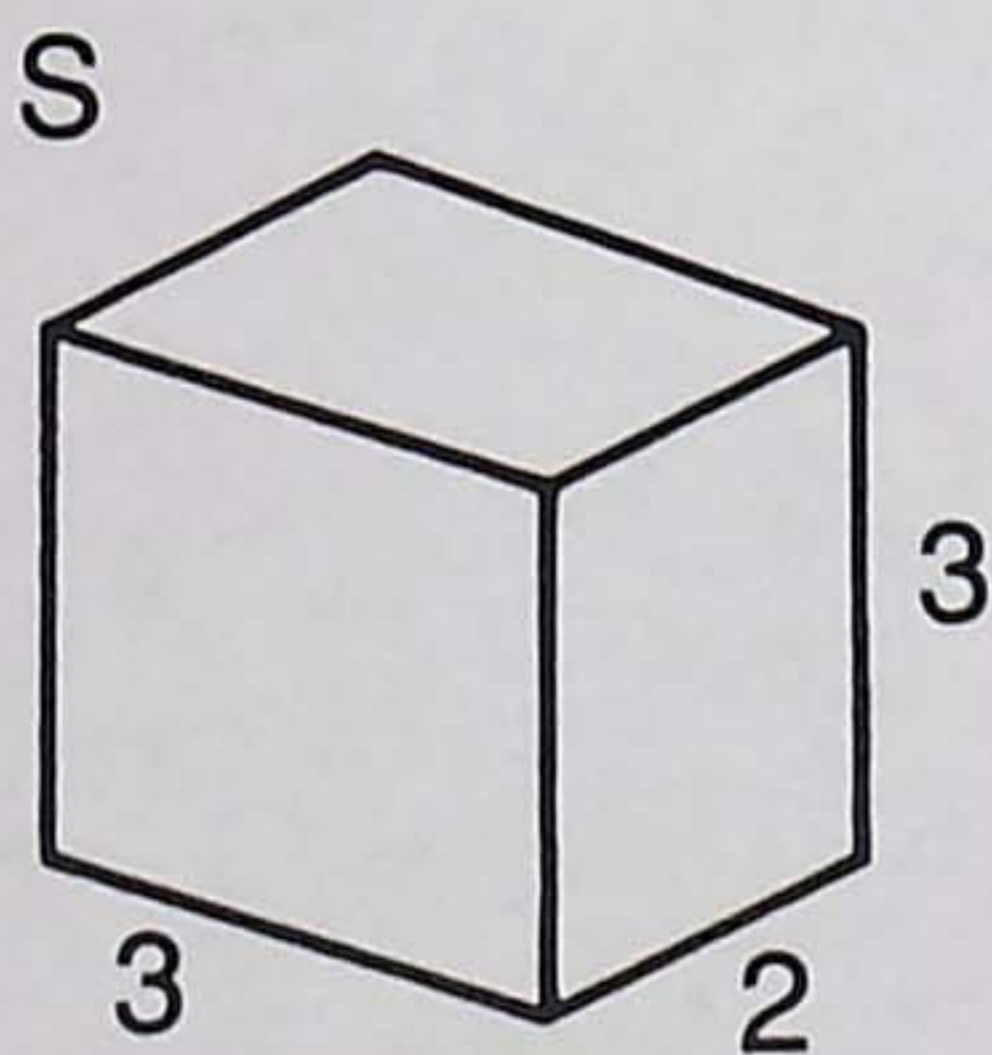
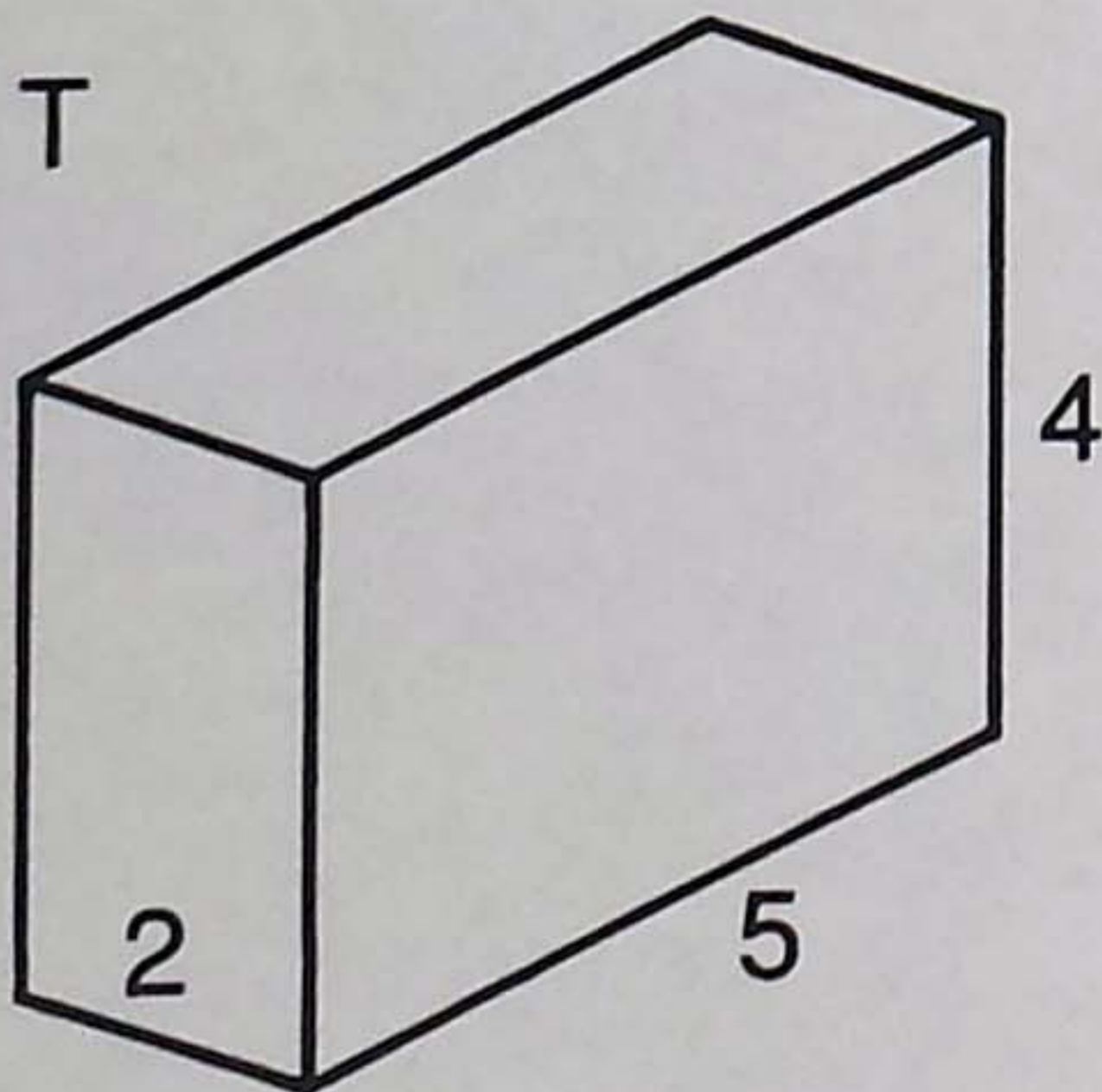
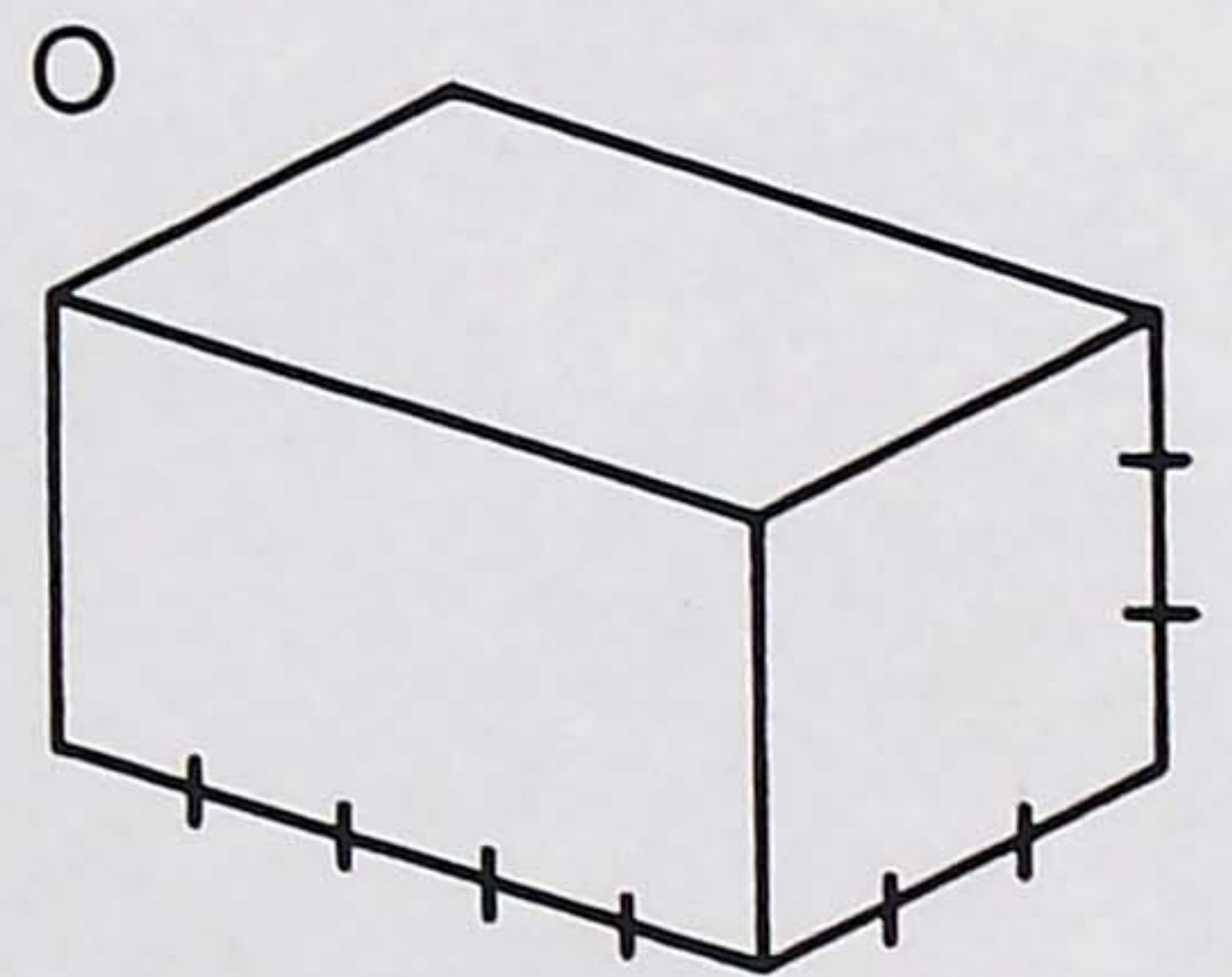
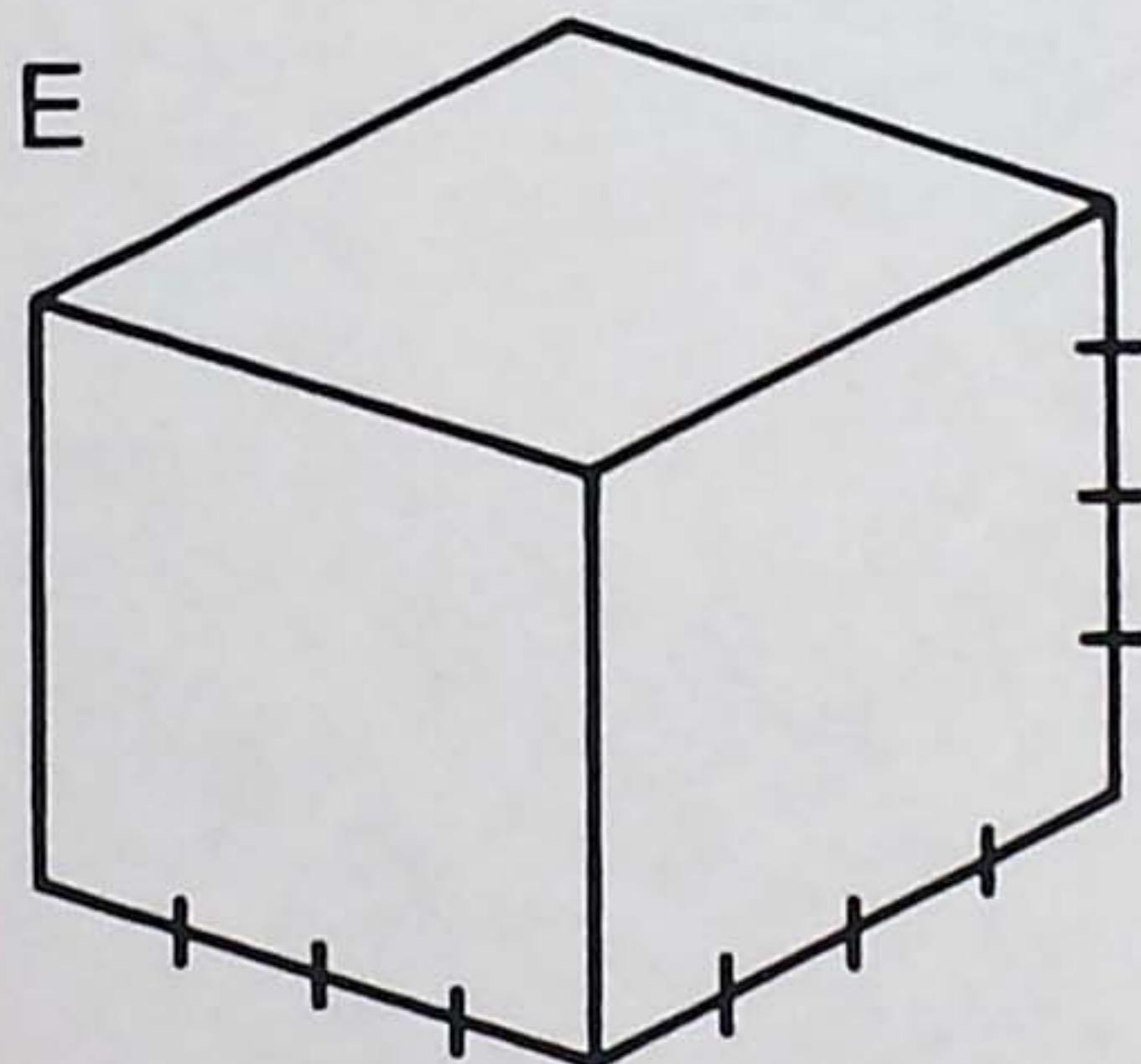
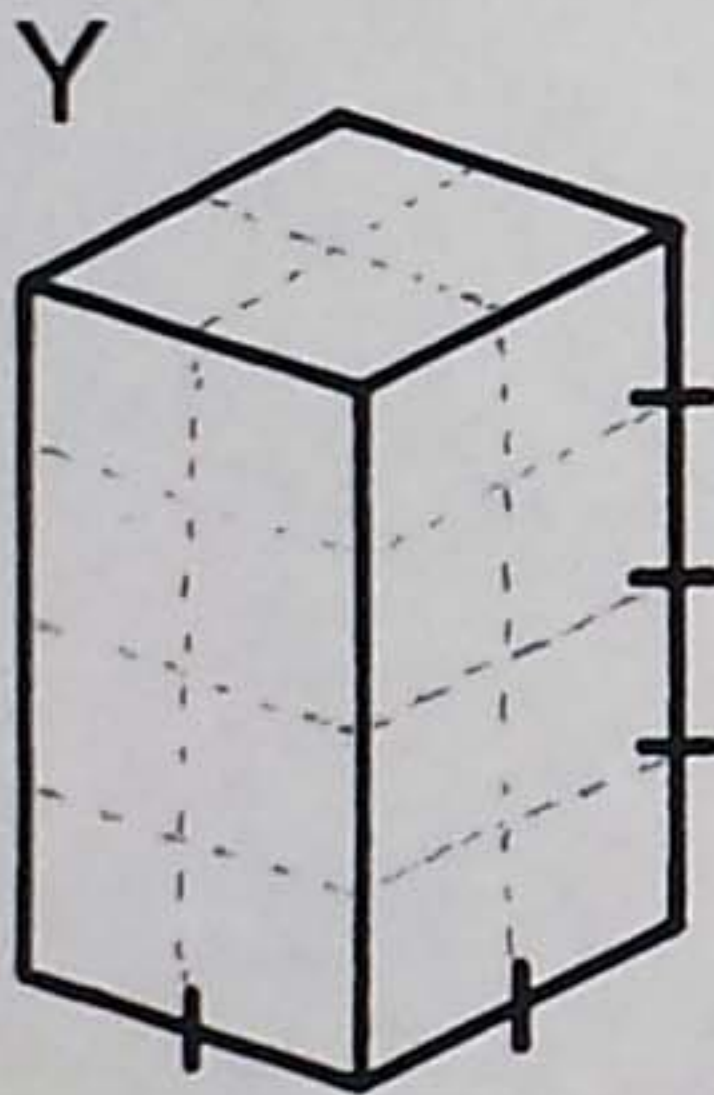
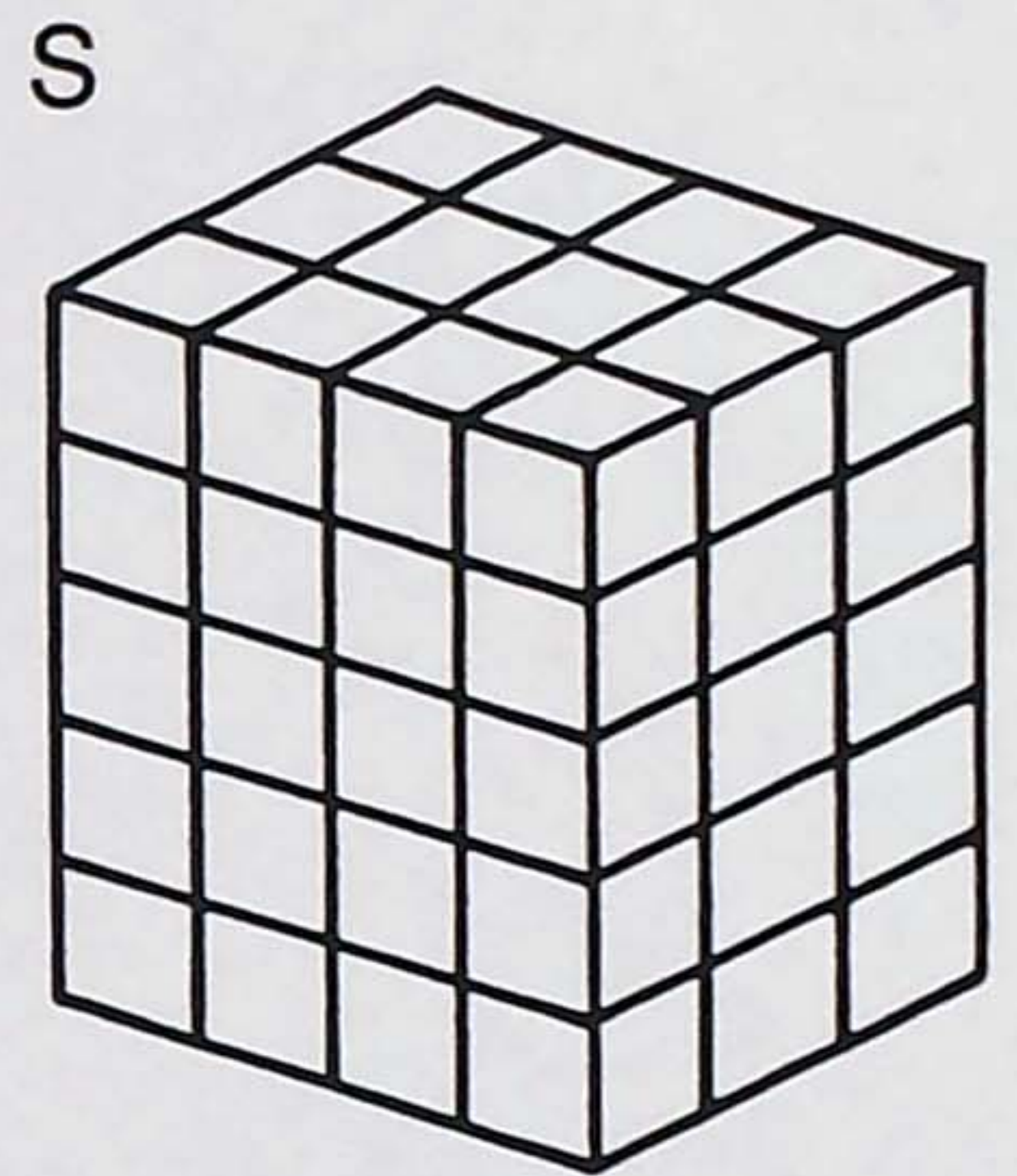
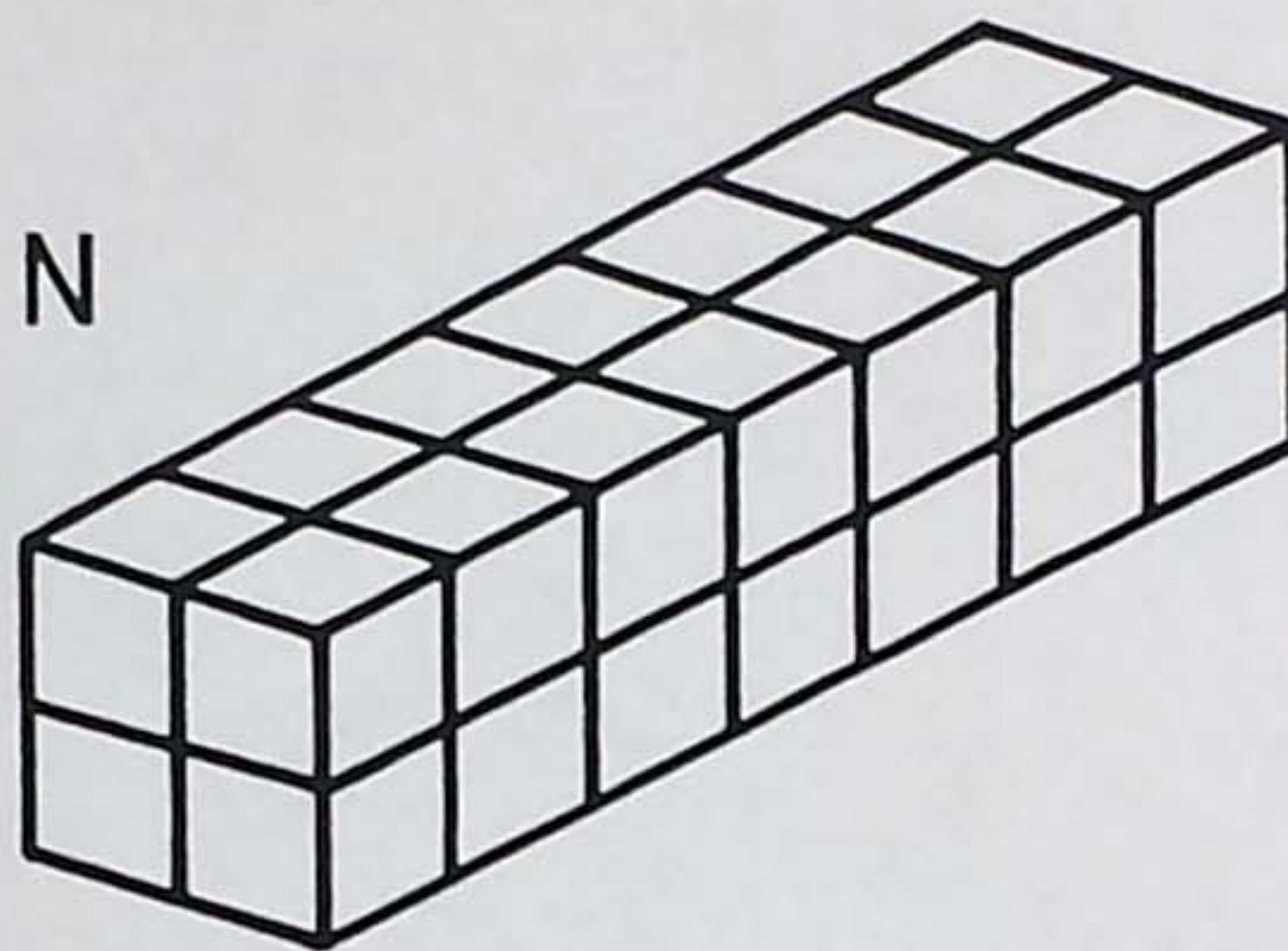
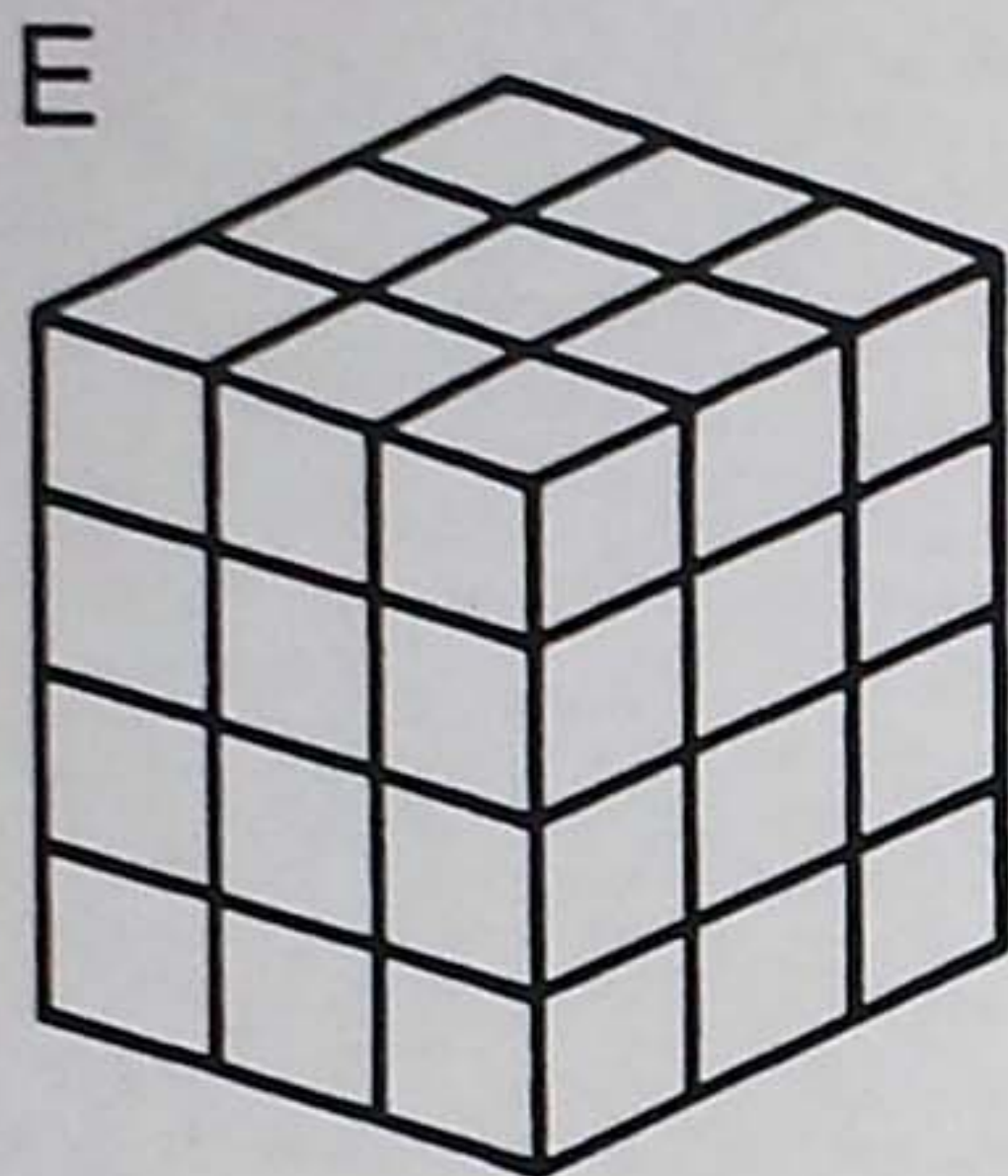
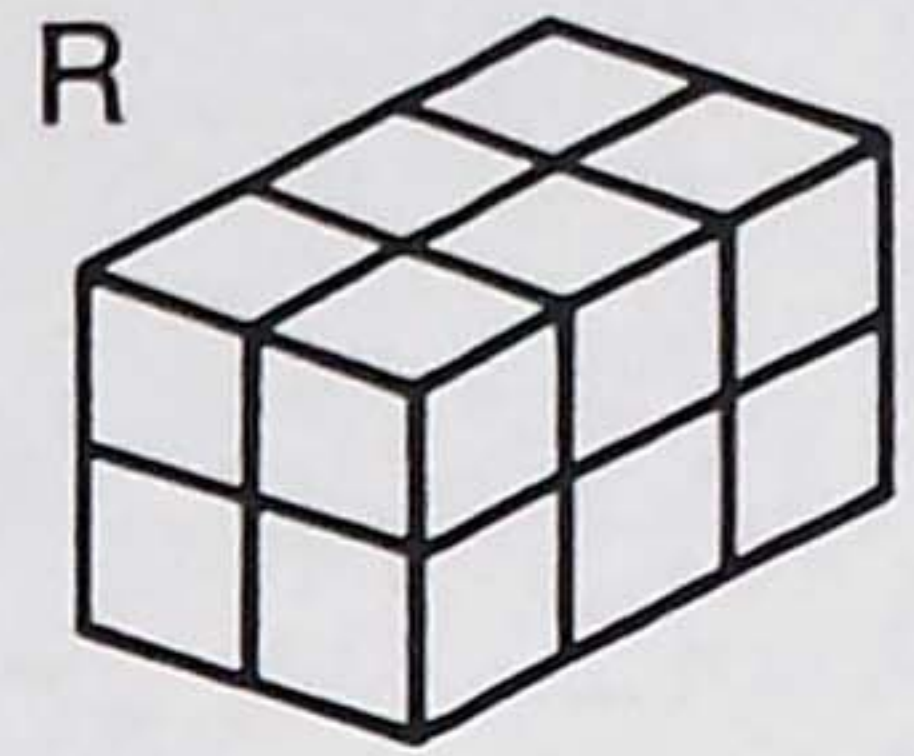
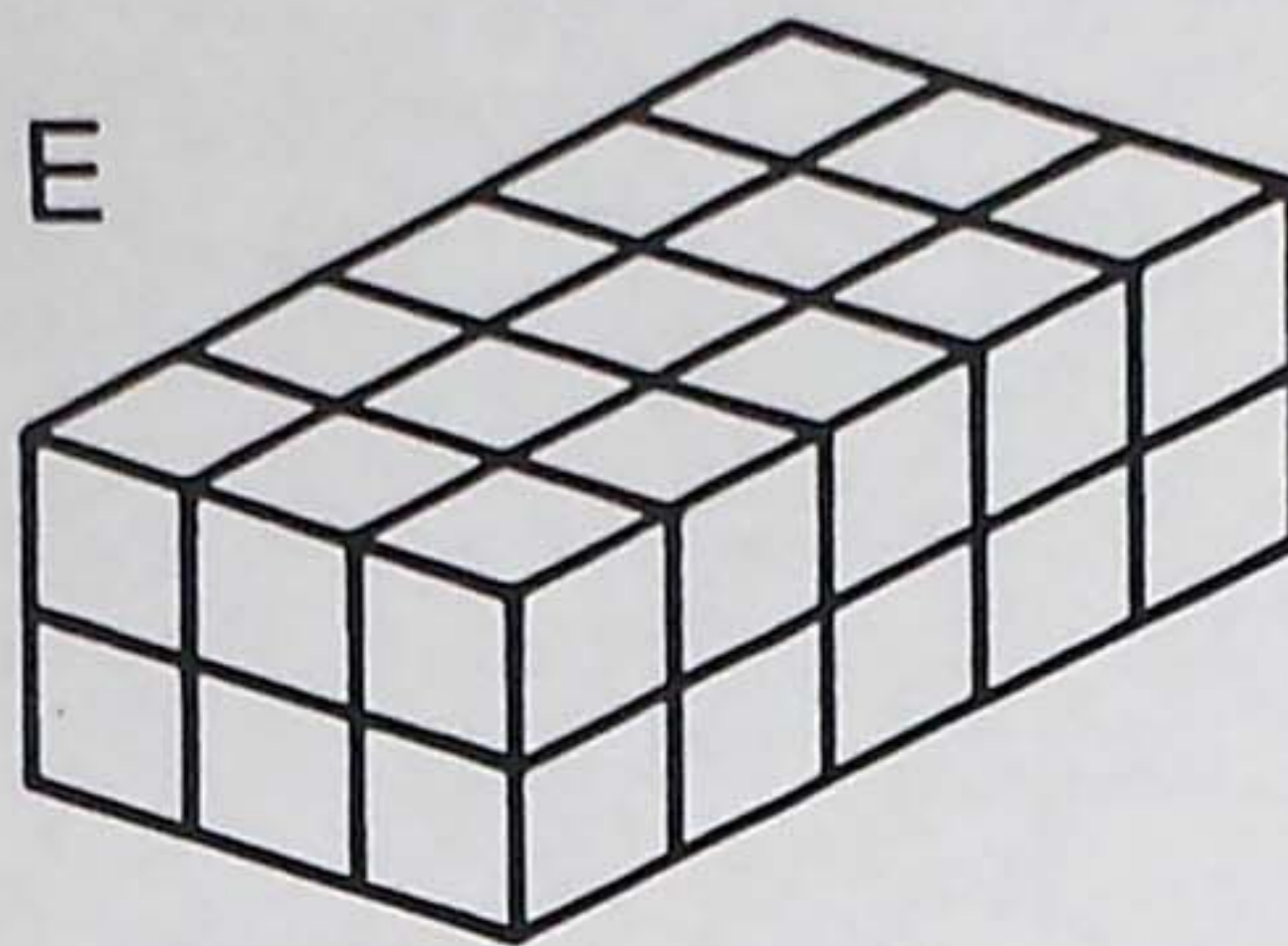
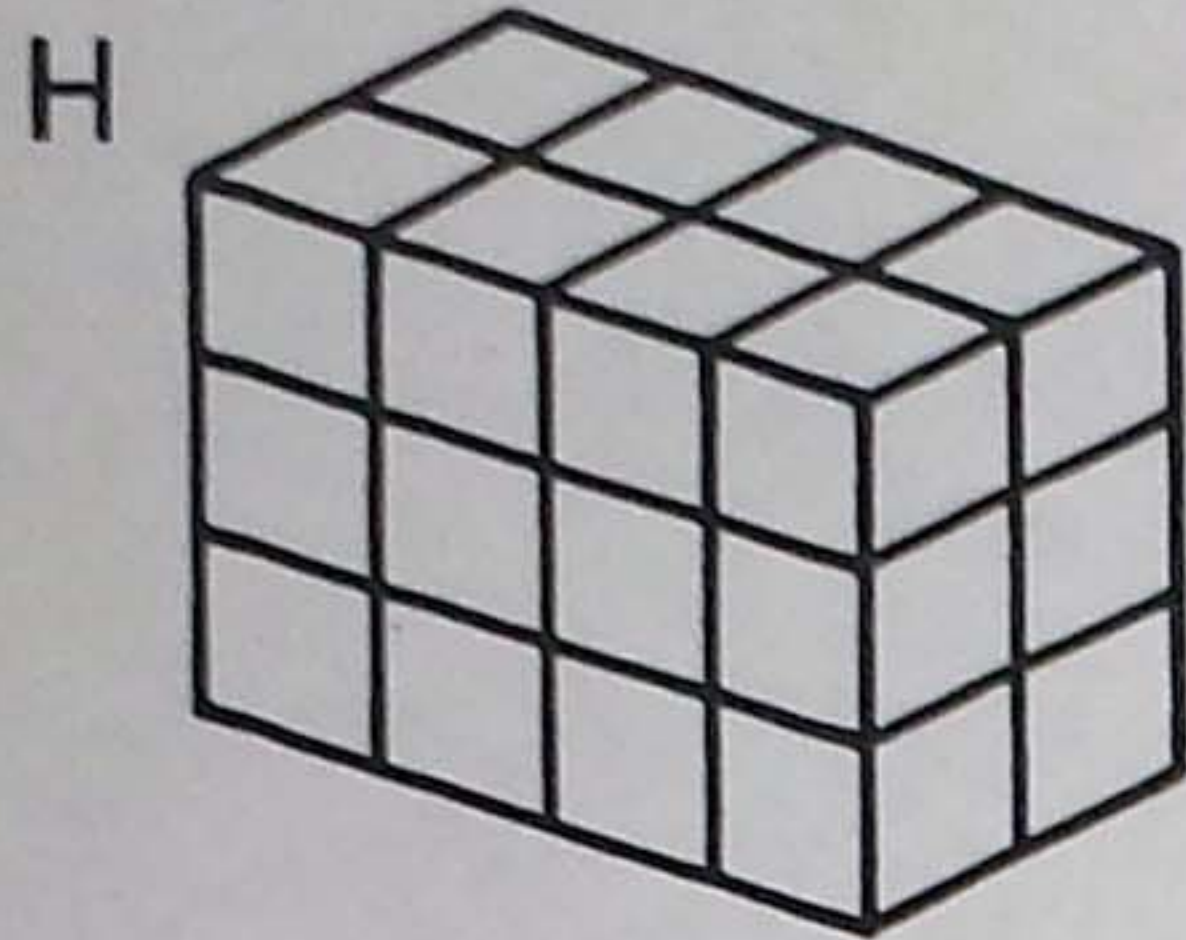


**Mystery:** What happened when a 6-year old, a 5-year old, a 4-year old, a 3-year old, and a 2-year old joined to form a basketball team?

Find the volume of each prism in cubic units. Write the letter of the exercise in the box containing the answer. DRAW IN LINES/DRAW THE FIGURE AND COUNT THE CUBES.



(L)  $l = 3; w = 7; h = 2$

(W)  $l = 4; w = 3; h = 6$

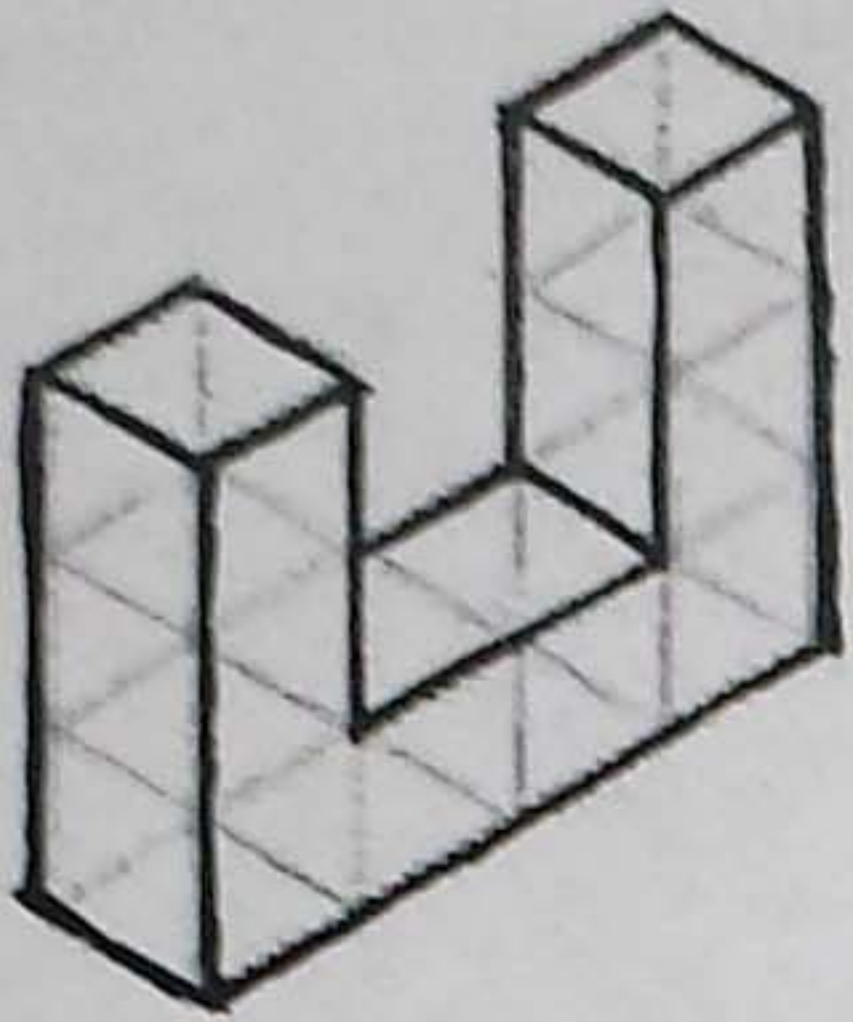
(E)  $l = 5; w = 5; h = 3$

40	24	36	16	32	72	64	12	48	80	45	28	75	42	30	60	18
----	----	----	----	----	----	----	----	----	----	----	----	----	----	----	----	----

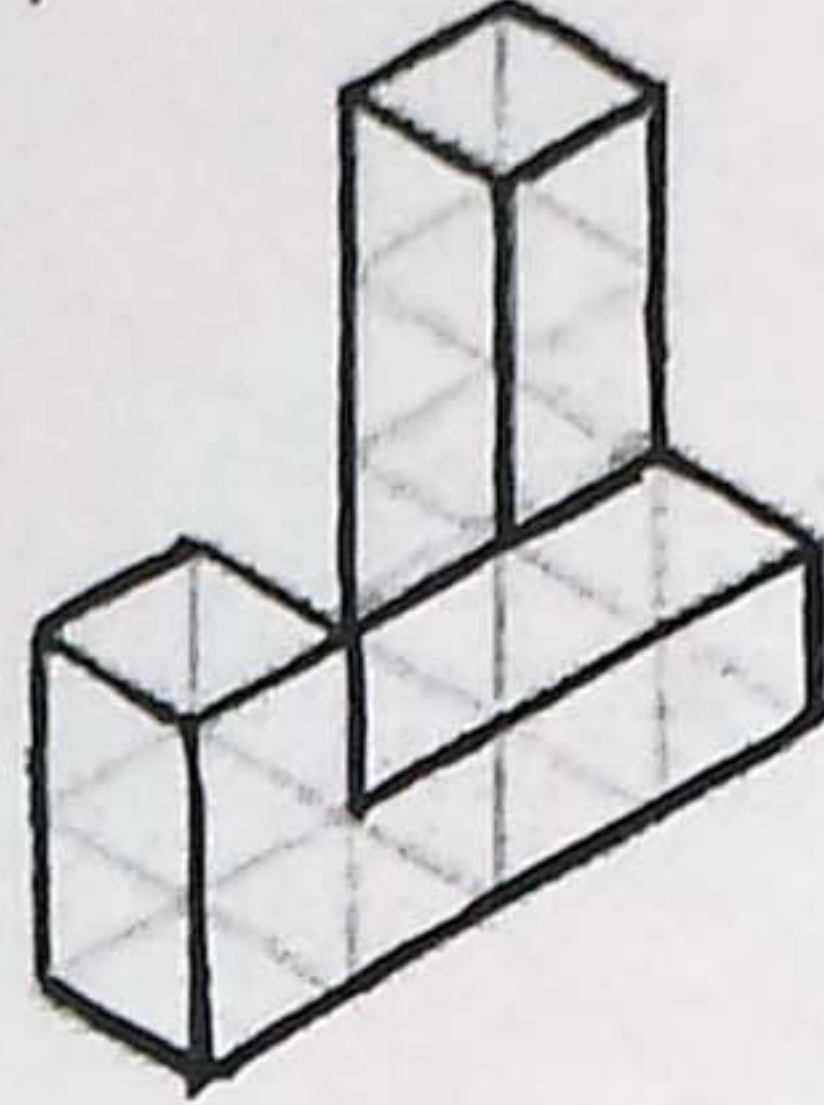
Name: \_\_\_\_\_

Date: \_\_\_\_\_

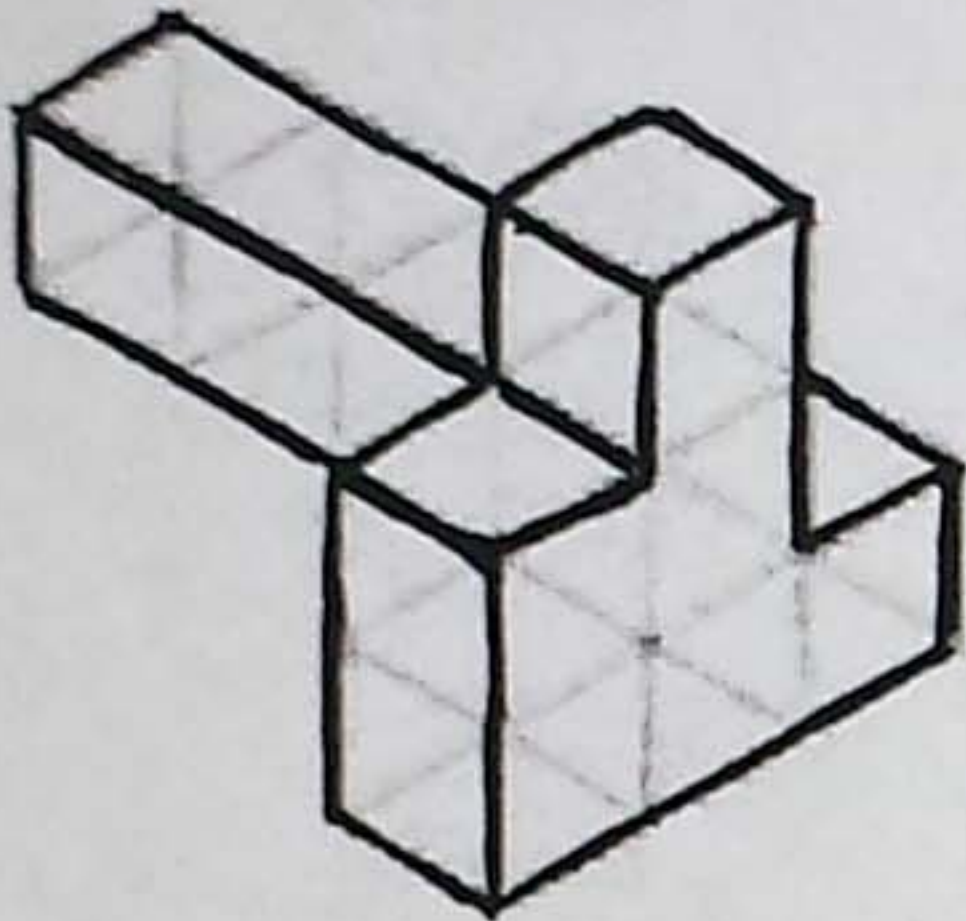
How many cubes are used to build these shapes? Write the answer:  
\*Shade each shape and show (number) each block (see example)\*



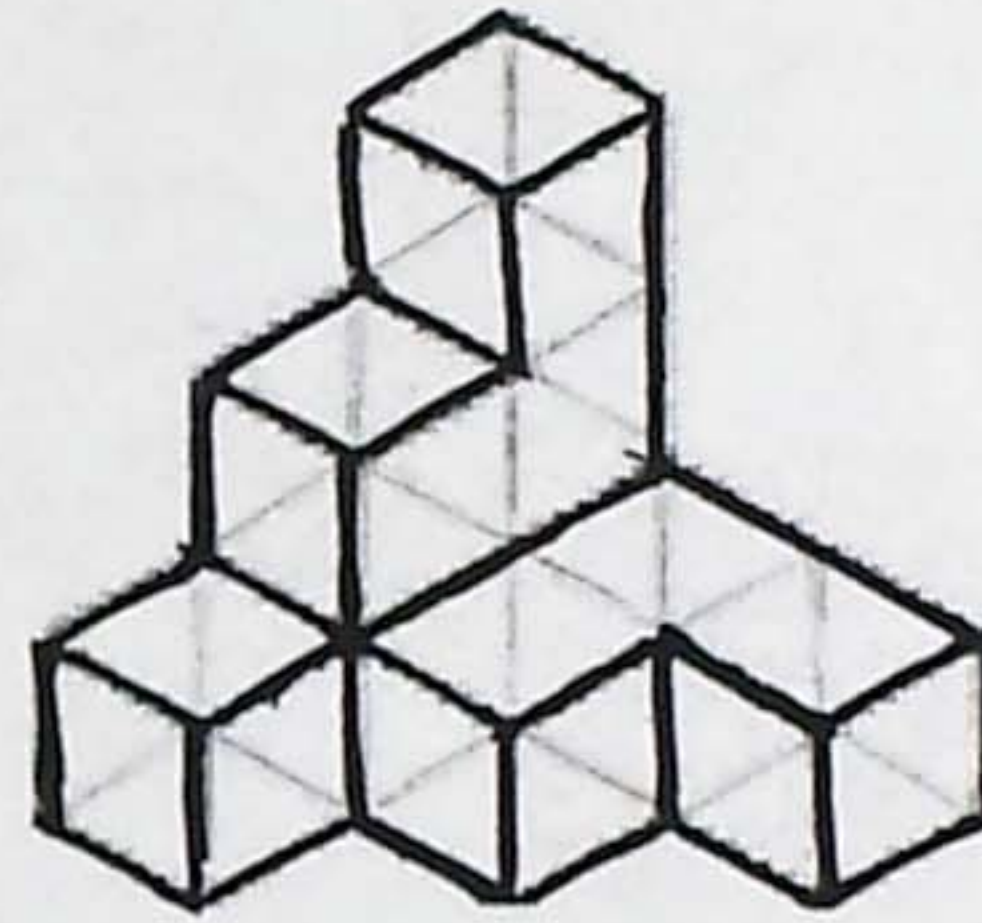
\_\_\_\_\_



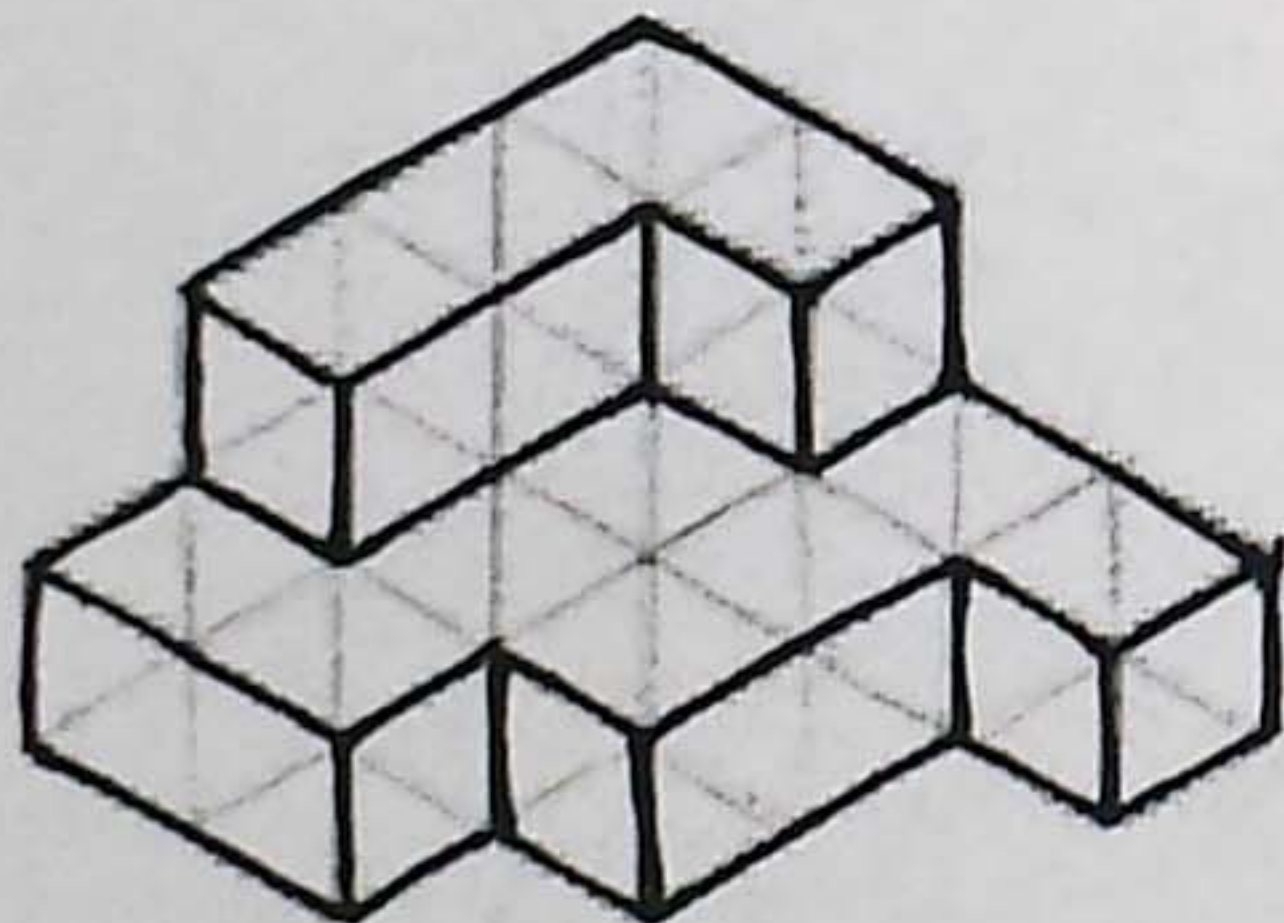
\_\_\_\_\_



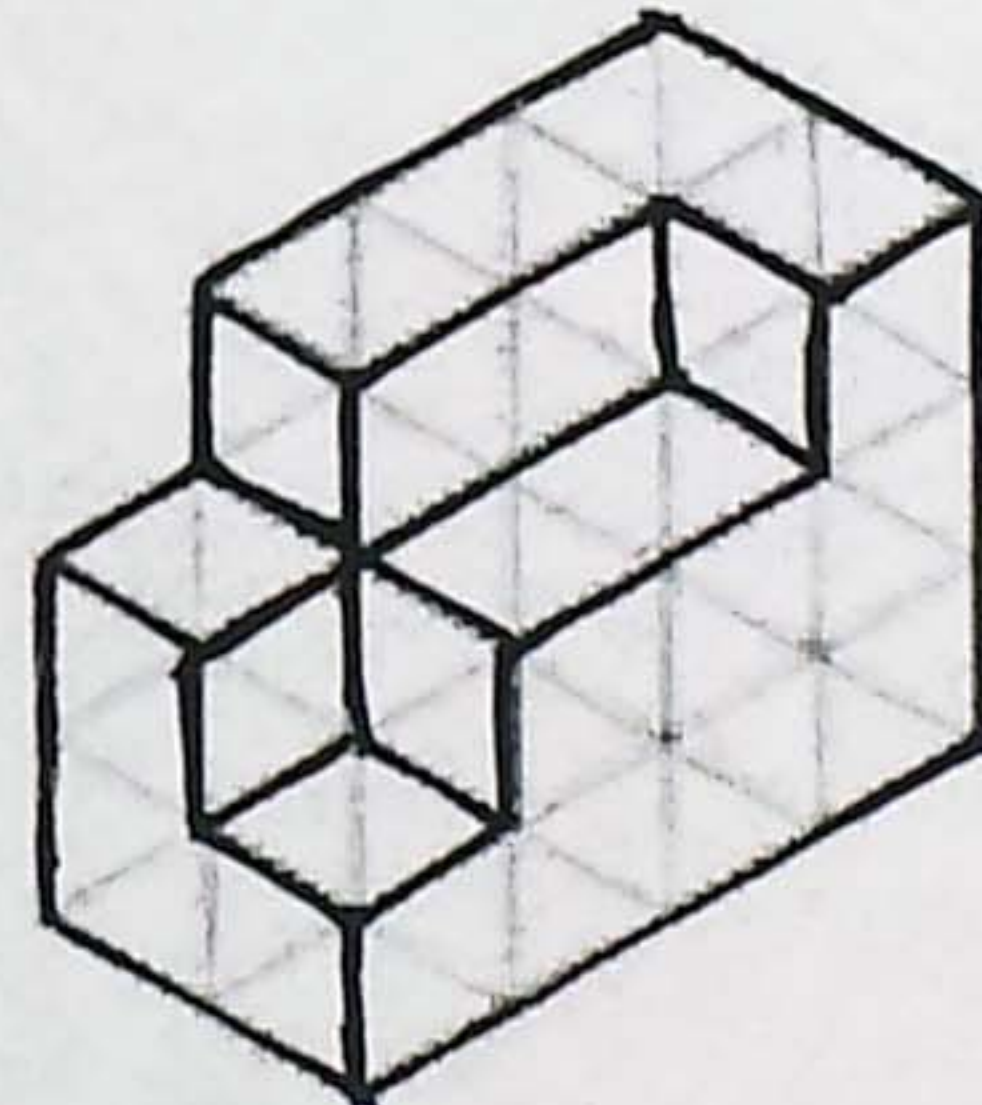
\_\_\_\_\_



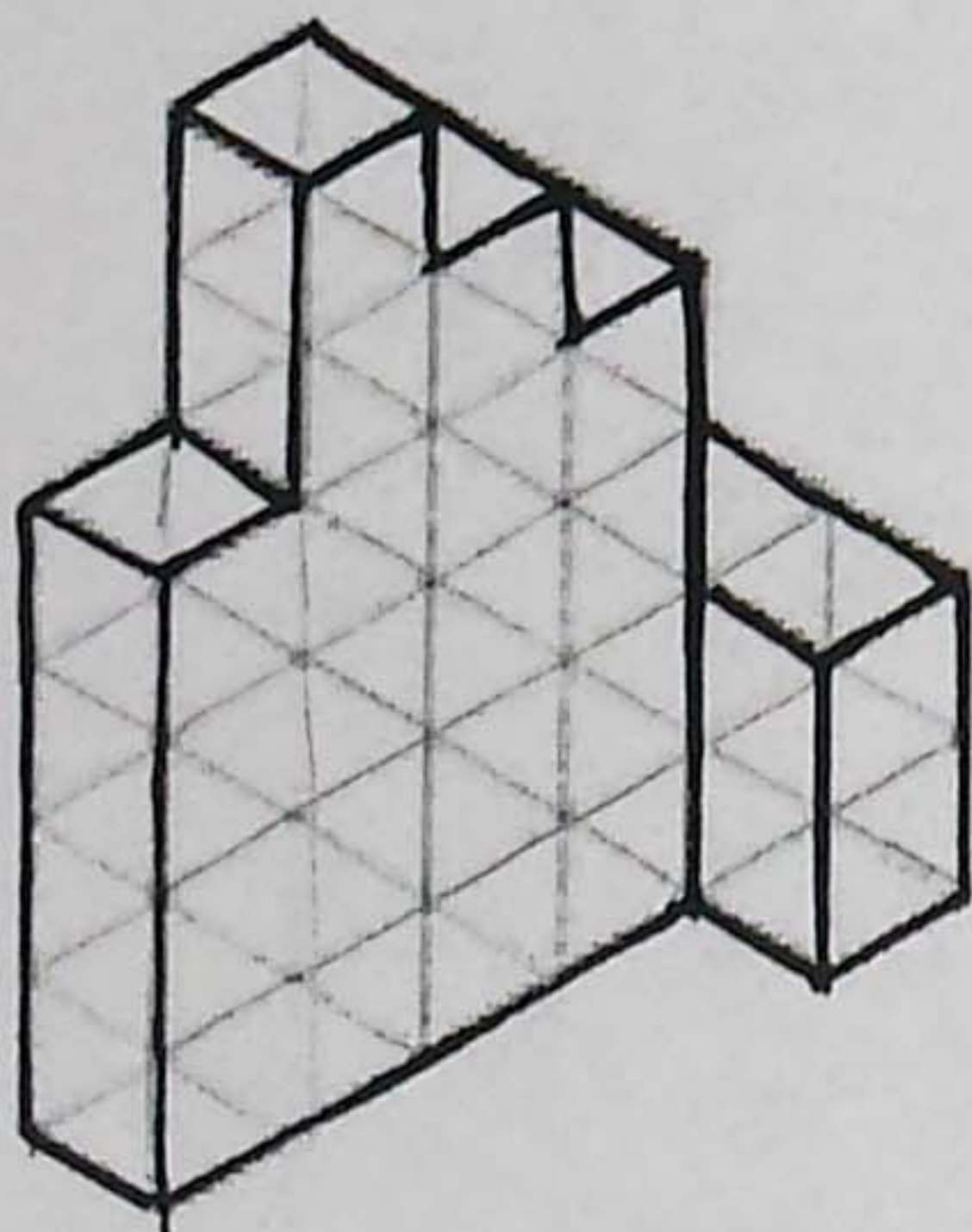
\_\_\_\_\_



\_\_\_\_\_

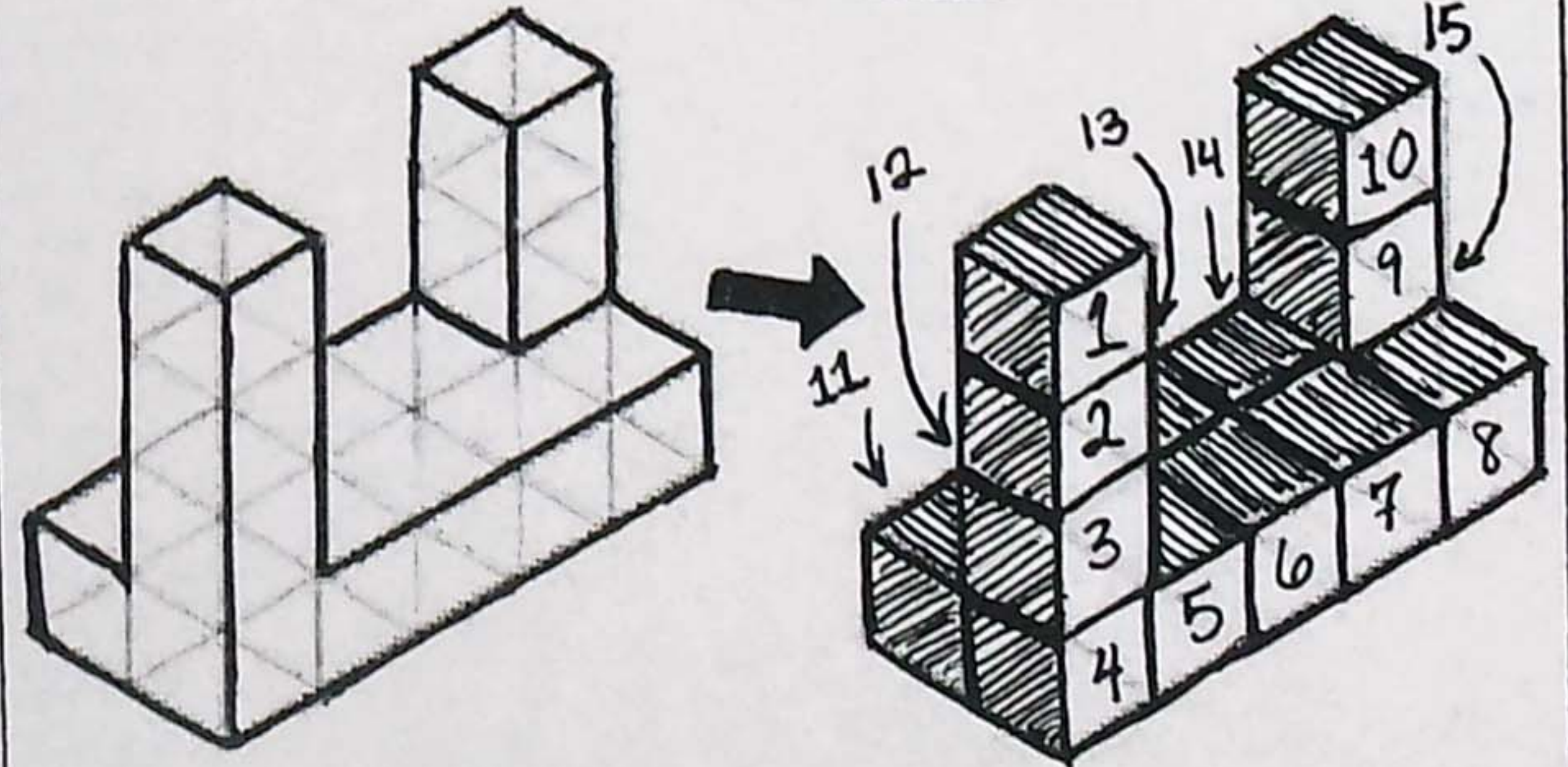


\_\_\_\_\_



\_\_\_\_\_

EXAMPLE: 15



Shade and number each shape to earn full credit